

Grave information

Gap Road Cemetery

Gap Road, Wimbledon

London SW19 8JA

Tel: 020 3876 8806

merton.gov.uk/gaproadcemetery

Traditional Graves: Extract from Cemetery Regulations

This allows a full memorial with a maximum size: 0.76 metre (2 feet 6 inches) wide by 1.83 metres (6 feet) in length.

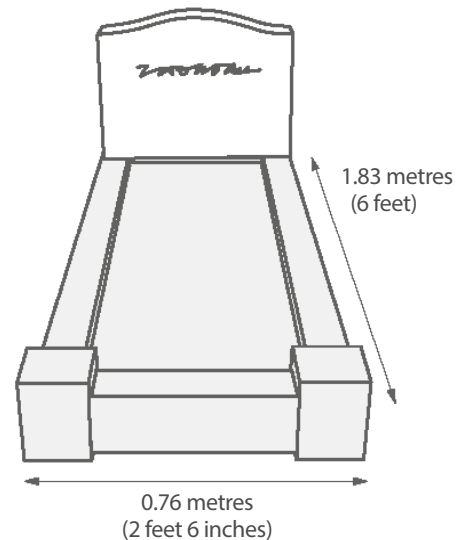
Alternatively a lawn style headstone can be erected at the head of the grave, which then allows a garden space with a maximum size: 0.76 metre (2 feet 6 inches) wide and 1.52 metres (5 feet) long; this is left for planting bedding flowers or small shrubs.

The grave owner is responsible for the maintenance of the garden space if a full memorial is not required.

Please note the following are not allowed: any type of fence/edging, any type gravel/glass chippings on or around the garden space/grave.

The Cemetery will remove these items if found on the grave.

Traditional Grave Maximum Sizes



Cremation Remains Graves (Section W)

This section allows a lawn headstone at the head of the grave with a garden space in front of the headstone. The garden space can be up to a maximum size of: 1.22 metres (4 feet) wide by 0.46 metre (18 inches) in length. The rest of the grassed area must be kept clear at all times and is maintained by the Cemetery.

The grave owner is responsible for the planting and upkeep of the garden. If the garden space is left unkept, it will be grassed over.

Please note the following are not allowed: any type of fence/edging, any type gravel/glass chippings on or around the garden space/grave. The Cemetery will remove these items if found on the graves.

Grave ownership: After a burial in a new grave, a deed called "Grant of Right of Burial" will be issued to the nominated grave owner confirming that person is the owner of the grave. The deed will also state the length of the lease period.

Public graves: These are lawn section graves. The headstones are the property of the Council. An inscription is allowed on the headstone which must be arranged through the Cemetery Office. Garden spaces are not allowed.

Headstone sizes: can be found on our memorial application form and our web site.

Wooden Crosses: Small wooden crosses with a maximum height 0.76 metre (2 feet 6 inches) are accepted for a period not exceeding one year from date of burial when the Cemetery will remove the cross.

Garden planting and upkeep service: The Cemetery can provide a maintenance service for garden spaces. For information on our fees and charges visit our web site: merton.gov.uk/cemeteries